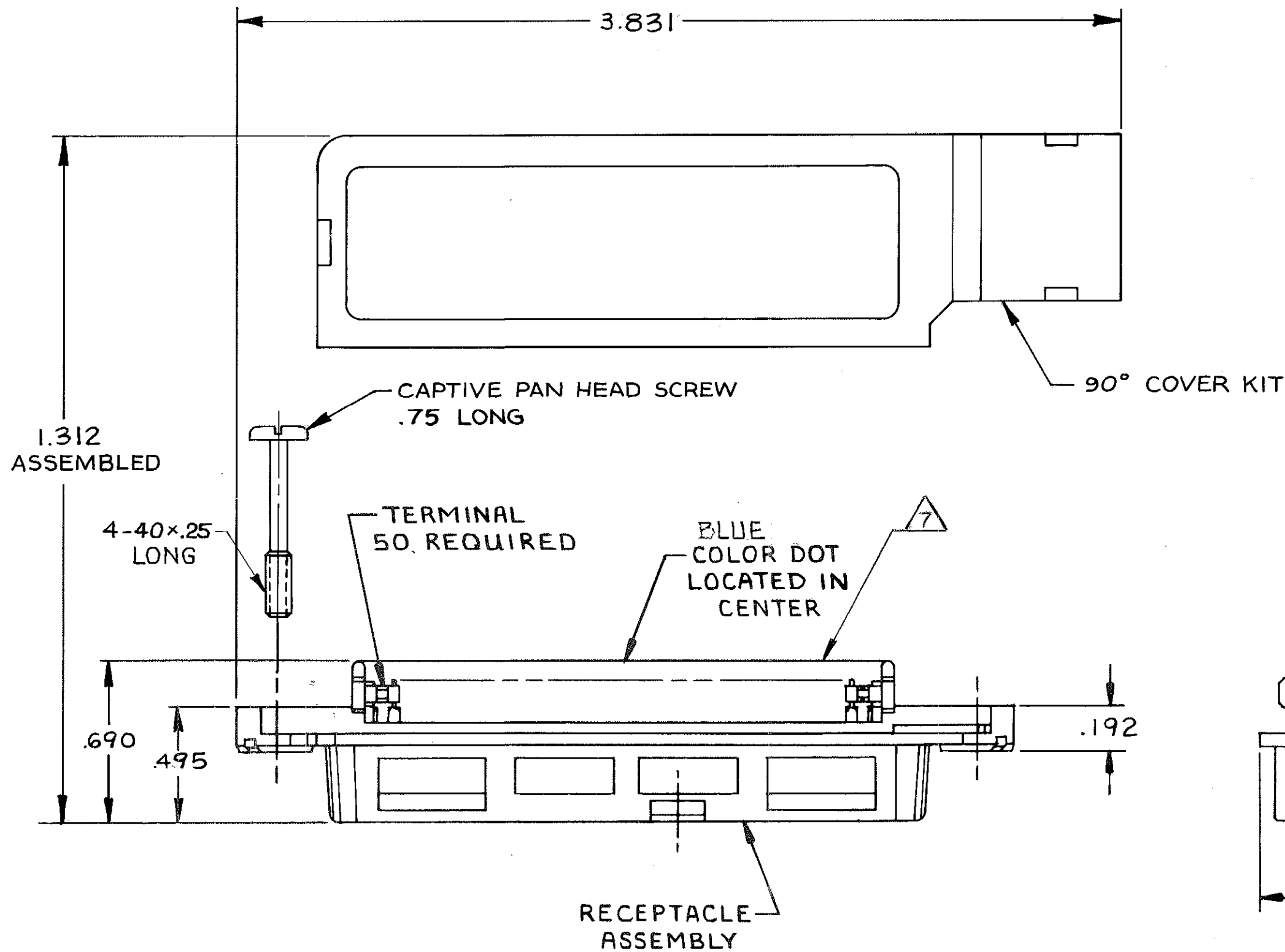
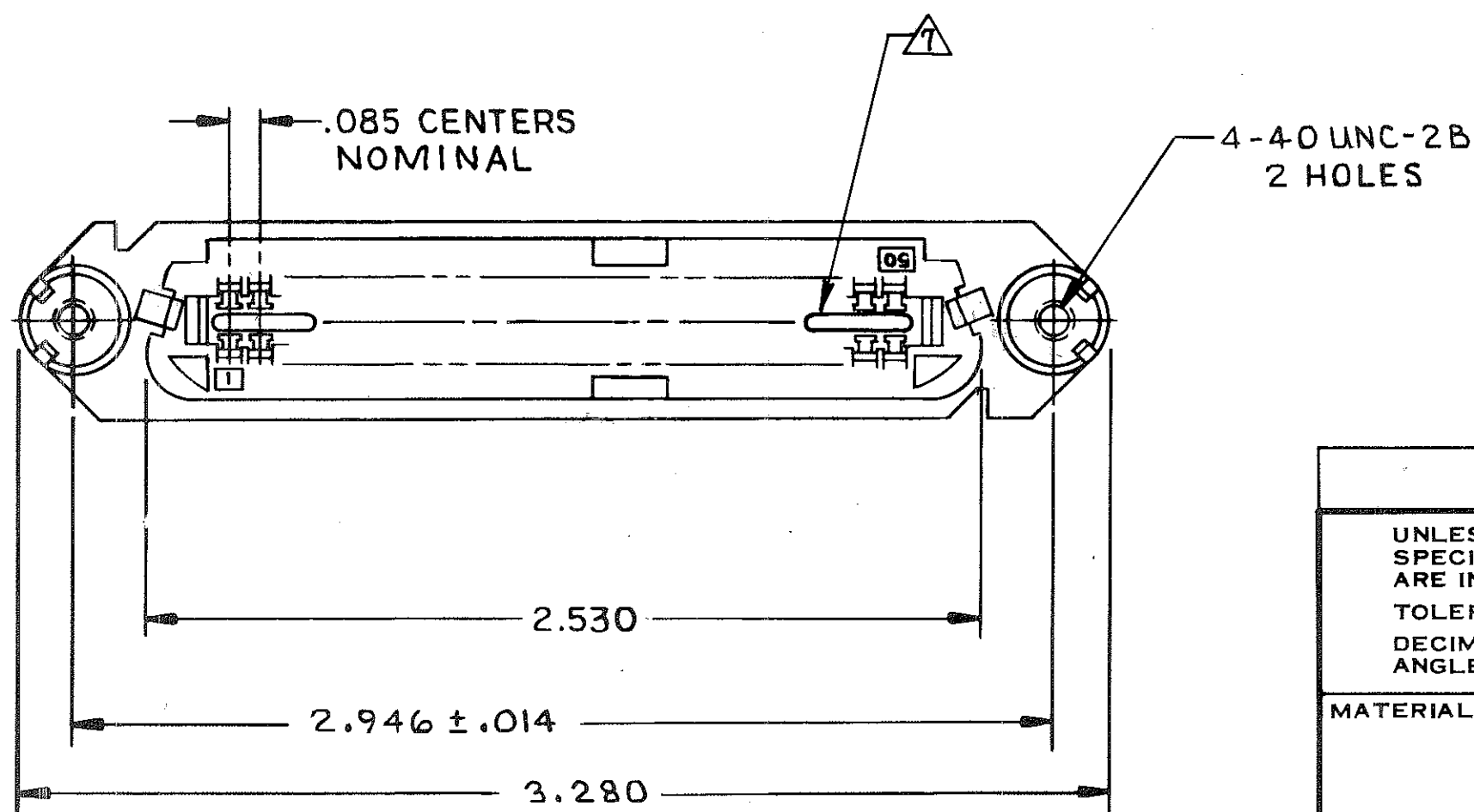


© COPYRIGHT 1974 BY AMP INCORPORATED, HARRISBURG, PA.
 ALL INTERNATIONAL RIGHTS RESERVED. AMP INCORPORATED PRODUCTS
 COVERED BY U. S. AND FOREIGN PATENTS AND/OR PATENTS PENDING.


REVISIONS						
P	F	ZONE	LTR	DESCRIPTION	DATE	APPROVED
J			J	OBS - 4; ECN AA-5371	1/4/89	TE
			K	REV; EC 0UIC-0040-01	3-19-01	DD EB



1. THE CONTACT SURFACES OF THE TERMINALS ARE COATED WITH LUBRICANT.
 2. ALL DIMENSIONS SHOWN ARE MAXIMUM UNLESS OTHERWISE SPECIFIED.
 3. MATERIAL: HOUSING & COVERS - POLYPHENYLENE OXIDE.
 TERMINALS - GOLD OVER NICKEL PLATED HIGH STRENGTH COPPER ALLOY.
 HARDWARE - ZINC PLATED STEEL.
 4. COVERS AND HARDWARE SHIPPED UNASSEMBLED.
 5. WIRE SIZE: 24 & 26 AWG SOLID & 24/7 STRAND COPPER CONDUCTORS. MAX. INSULATION DIAMETER OF .045 IS ACCEPTABLE FOR MOST APPLICATIONS.
 6. CABLE RANGE: .415 - .465 DIA.
- △ CORING MAY OR MAY NOT APPEAR AND IS AT THE DISCRETION OF AMP INCORPORATED.



POLY BAGGED	BLACK	552260-1
PACKAGING	COLOR	PART NO

UNLESS OTHERWISE SPECIFIED DIMENSIONS ARE IN INCHES. TOLERANCES ON: DECIMALS ± — ANGLES ± —	CONTRACT NO	 AMP INCORPORATED Harrisburg, Pa.
	DR <i>J.ritchard</i> 11-23-81	
MATERIAL	CHK <i>MDJriel</i> 11-9-82	NAME
	APPD <i>Shy</i> 11/10/82	RECEPTACLE KIT, 50 POSITION, B SLOT
FINISH	APPB <i>Shy</i> 11/10/82	SCREW LOCK W/ 90° COVER,
	DSGN APPD	CHAMP-LOK®
	OTHER APPD	SIZE CODE IDENT NO DRAWING NO
		C 00779 552260
		SCALE 2/1 SHEET 1 OF 1

552260